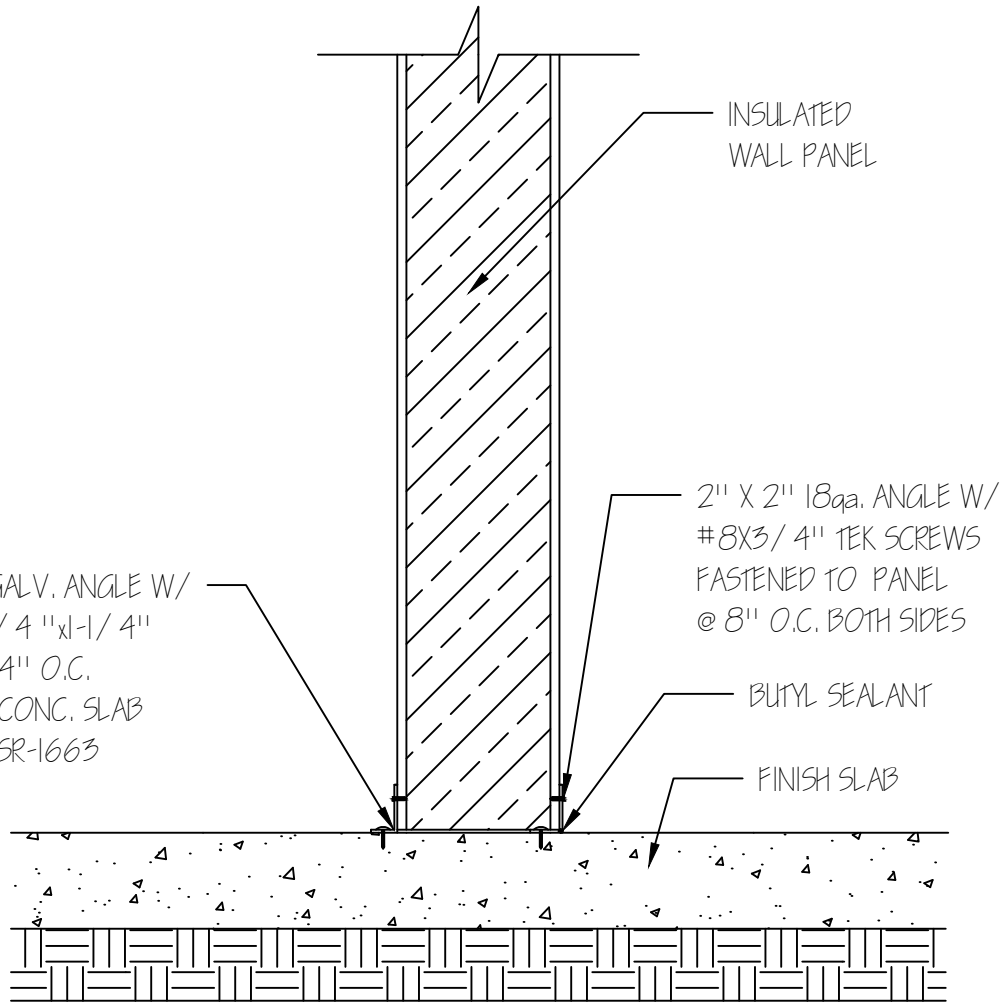
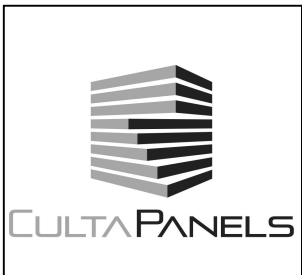


2" x 2" x 1/8 ga. GALV. ANGLE W/  
HILTI X-C 3/4" x 1/4" SHOT PINS @ 24" O.C.  
FASTENED TO CONC. SLAB  
BOTH SIDES. ESR-1663



SCALE N.T.S



DETAIL TITLE:

PARTITION WALL  
AT COOLER BASE

[WWW.CULTAPANELS.COM](http://WWW.CULTAPANELS.COM)

949.463.3988  
DAVE@CULTAPANELS.COM  
1154 E VALENCIA DR  
FULLERTON, CA 92831